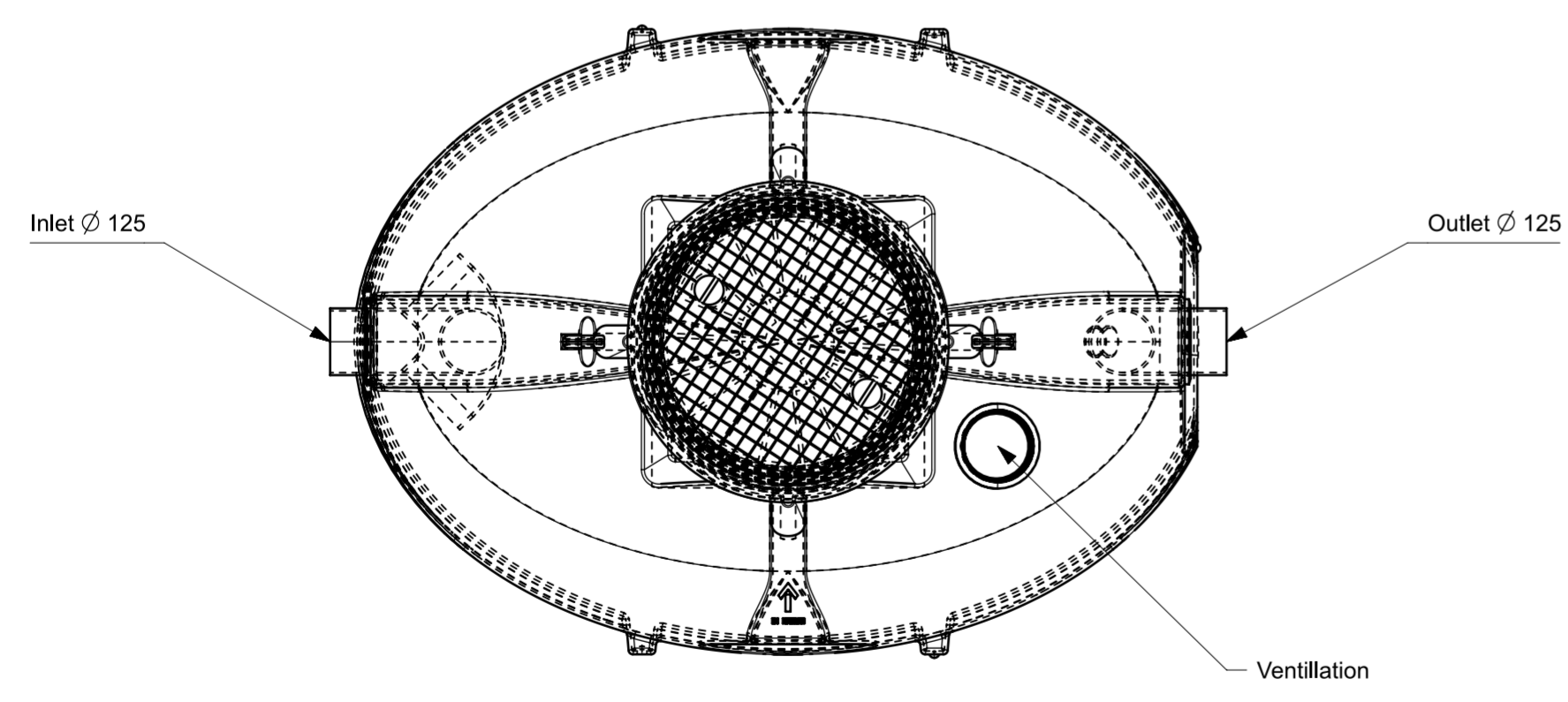
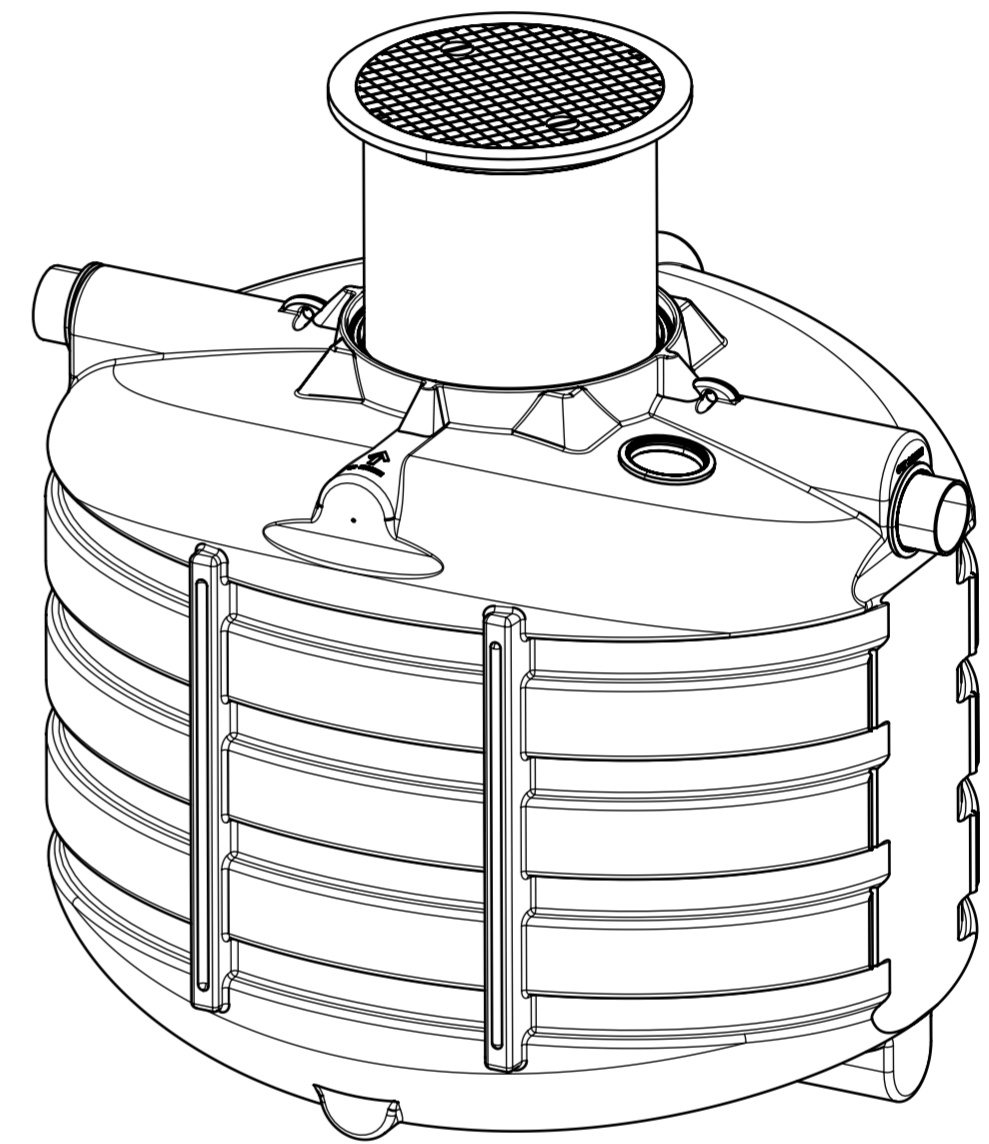
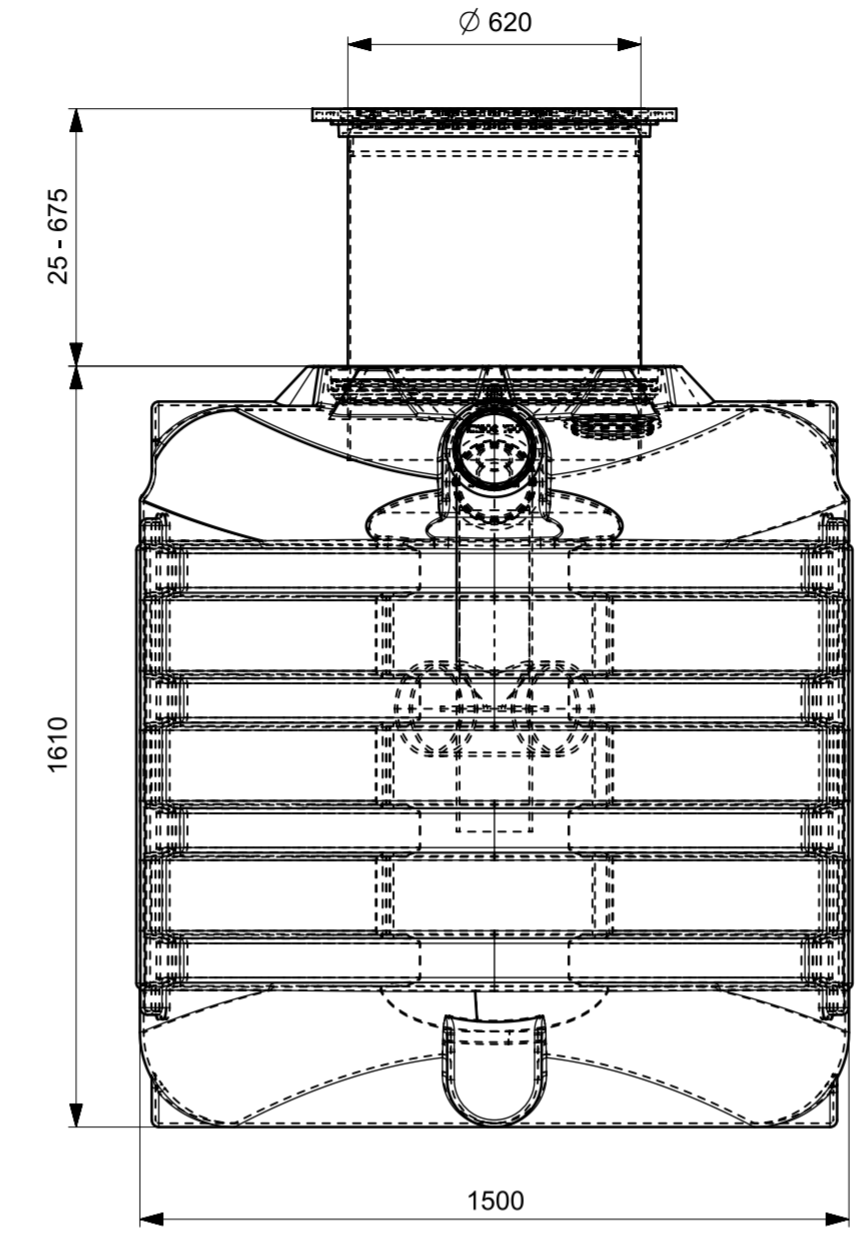
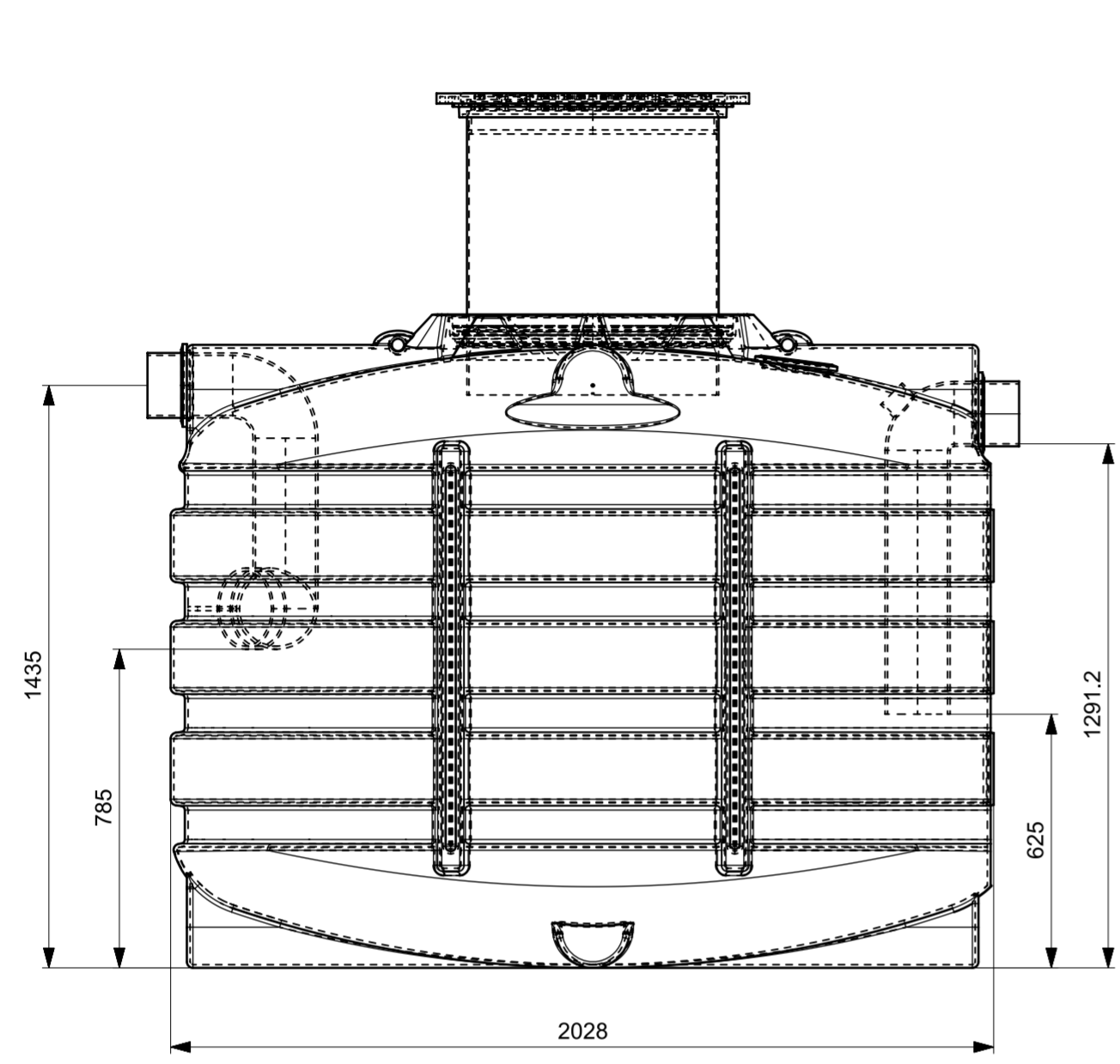


8 7 6 5 4 3 2 1

F
E
D
C
B
A

F
E
D
C
B
A



Linear tolerances	Surface roughness	Shape and positioning tolerances	Bend tolerances	Finishing
Drawing name				Material
VA PRO - NG 9				HDPE
Drawn by	Name	Date	Drawing number	Sheet 1 of 1
Approved by			VA PRO - NG9_2D_0.01.prt	Scale 1 : 12
			unit : MM	Format A2
DS PLASTICS WATERTIGHT SOLUTIONS			DS PLASTICS N.V. Mosten 18 9160 Lokeren T: +32 (0)9 280 78 80	All rights reserved. No parts of this concept may be reproduced in any form or by any means without the prior written permission of DS PLASTICS N.V.

8 7 6 5 4 3 2 1